

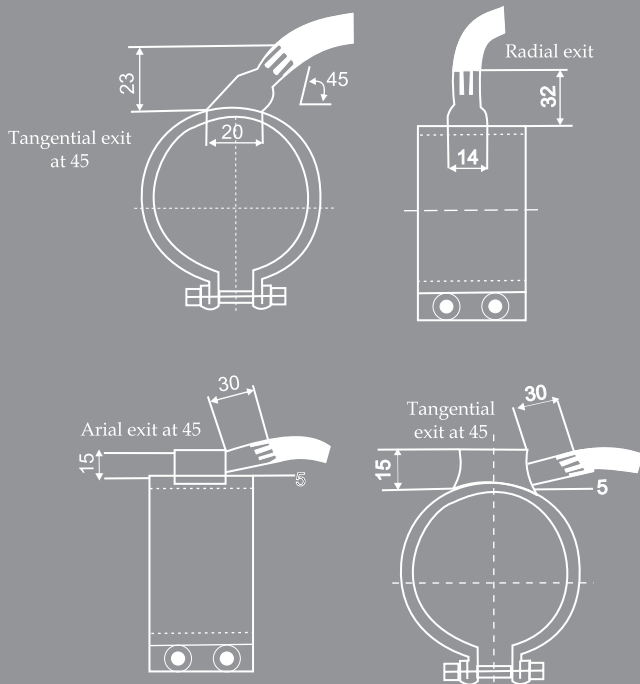
Sealed Mica Nozzle Heaters

Anupam

Relationship beyond Heating Technology ...

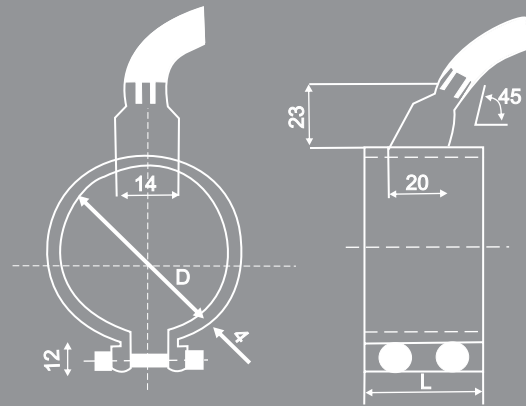
Band heaters are hermetically sealed for liquid plastic during the manufacturing process. They are available in model AS-1 and AS-2

ALTERNATIVE EXIT



STANDARD EXIT

Bipolar cable + earth flexible length 1000 mm.



- no. 1 screw M5 x 25 up to 1 = 35 mm
- no. 2 screws M5 x 25 from 1 = 36 mm to 1 = 60 mm



Technical Features

Description	Model AS-1	Model AS-2
Sheath material	Brass	Stainless Steel
Wattage	4.5 w/ cm ²	6 w/ cm ²
Voltage	230 V	230 V
Diameter	Min 30 mm. Max 100 mm	Min 25 mm. Max 100 mm
Length	Min 25 mm. Max 70 mm	Min 25 mm. Max 100 mm
Termination type	As per fig	As per fig
Lead Length	1000 mm	1000 mm
Working Temperature	300 / 320° C	380 / 400° C

