

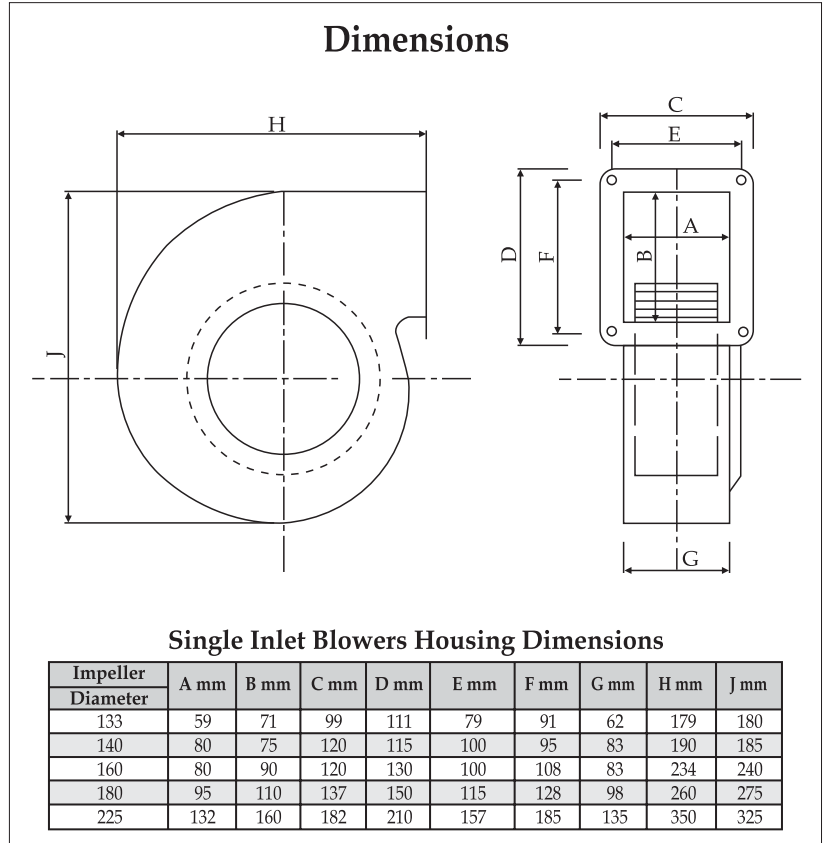
## Centrifugal Blower Single Inlet

Blowers Range From :

- Impeller Diam. : 125 to 240 mm
- Air Flow : 175 to 1200 m<sup>3</sup>/hr.
- Input Voltage : 110, 220, 440 V AC (50/60 Hz.)
- Power Input : 20 to 350 W



CENTRIFUGAL BLOWERS  
Single inlet



## Centrifugal Blower Double Inlet

Blowers Range From :

- Impeller Diam. : 125 to 180 mm
- Air Flow : 200 to 2000 m<sup>3</sup>/hr.
- Input Voltage : 110, 220, 440V AC (50/60 Hz.)
- Power Input : 60 to 350 W



CENTRIFUGAL BLOWERS  
Double inlet

